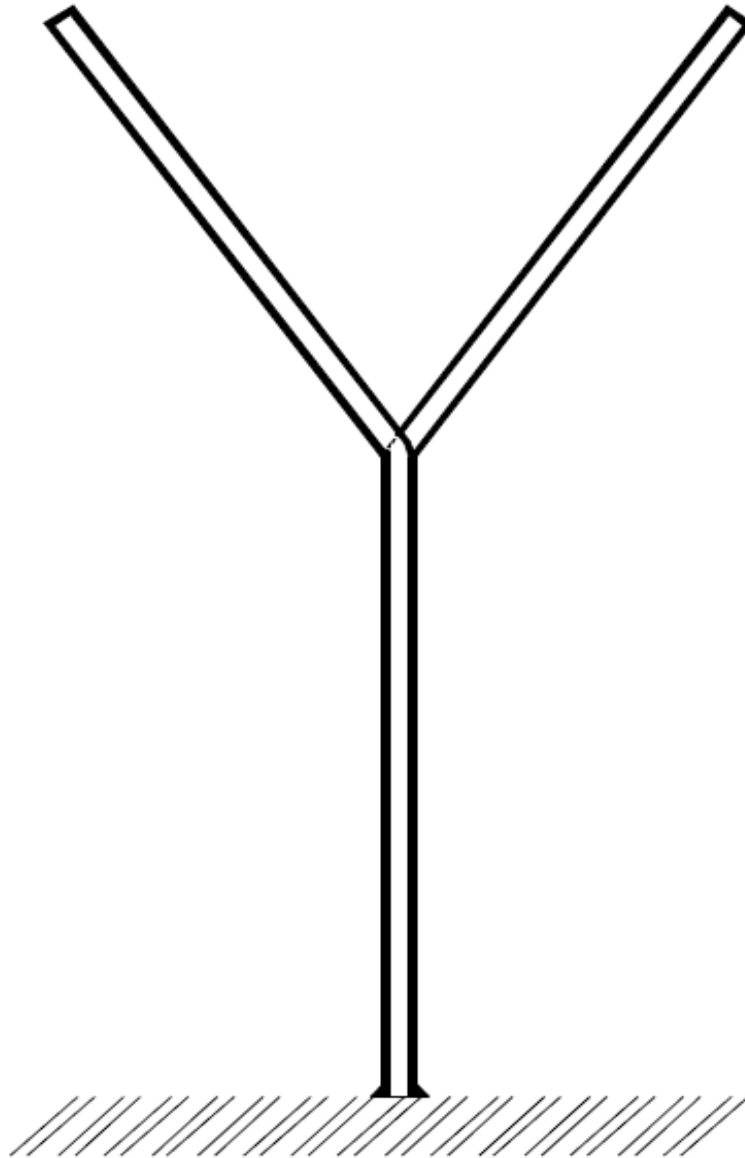
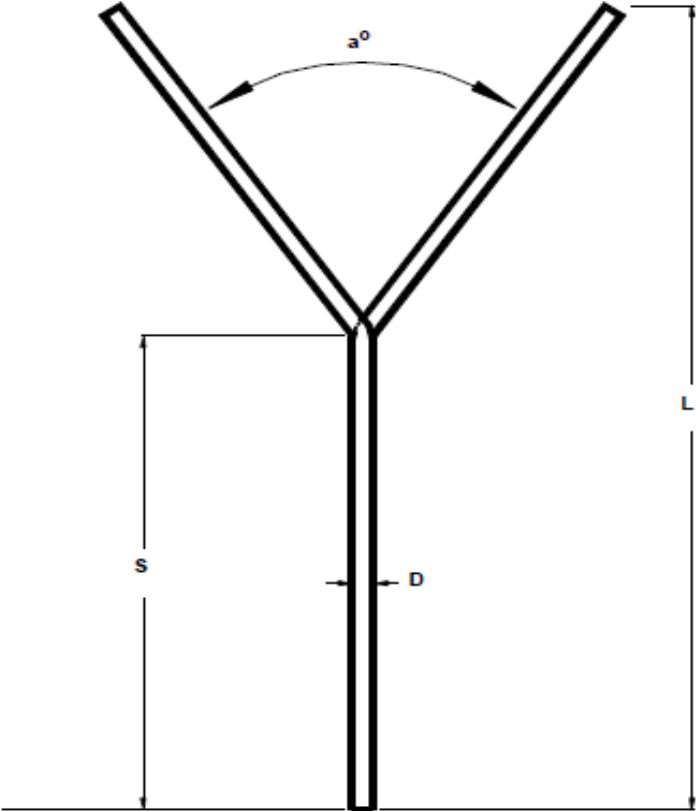


The Split "Y" anchor system

YHA



Commenced On : 17.1.2014	Drawn by : Tvikon s.r.o.	Product description: Split "Y"	
Tvikon		This drawing is the property of Tvikon s.r.o. Unauthorized use of patented features and / or and reproduction of this drawing is strictly prohibited.	SPLIT "Y" SYSTEM
		Tvikon s.r.o., U Landronky 1145/42, 169 00 Praha 6, Břevnov, tvikon@tvikon.cz, Phone: +420775908330	Dwg nr. T-14/07

<p>Ordering examples and standard alloys available</p>	<p style="text-align: center; font-size: 24pt;">YHA</p> <p style="text-align: center;">$B \times D_{max} = 80 \times 8 \text{ mm}$</p>	
<p style="text-align: center;">Example</p> <p style="text-align: center; font-size: 24pt;">YHA. 30/4(60) - 150(75) - 330</p> <div style="display: flex; justify-content: space-around; align-items: center;"> <div style="text-align: center;">↑</div> <div style="text-align: center;">↑</div> <div style="text-align: center;">↑</div> <div style="text-align: center;">↑</div> <div style="text-align: center;">↑</div> <div style="text-align: center;">↑</div> </div> <p style="text-align: center;">Anchor type Strip size (Angle) Length L Step S Alloy type</p>		
		
<p style="text-align: center; font-size: 24pt; color: red;">Tvikon</p> <p style="font-size: 8pt;">Tvikon s.r.o., U Landronky 1145/42, 169 00 Praha 6, Břevnov, tvikon@tvikon.cz, Phone: +420775908330</p>	<p style="font-size: 8pt;">This drawing is the property of Tvikon s.r.o. Unauthorized use of patented features and / or and reproduction of this drawing is strictly prohibited.</p>	<p style="text-align: center; font-weight: bold;">SPLIT "Y" SYSTEM</p> <p style="text-align: center;">Dwg nr. T-14/08</p>