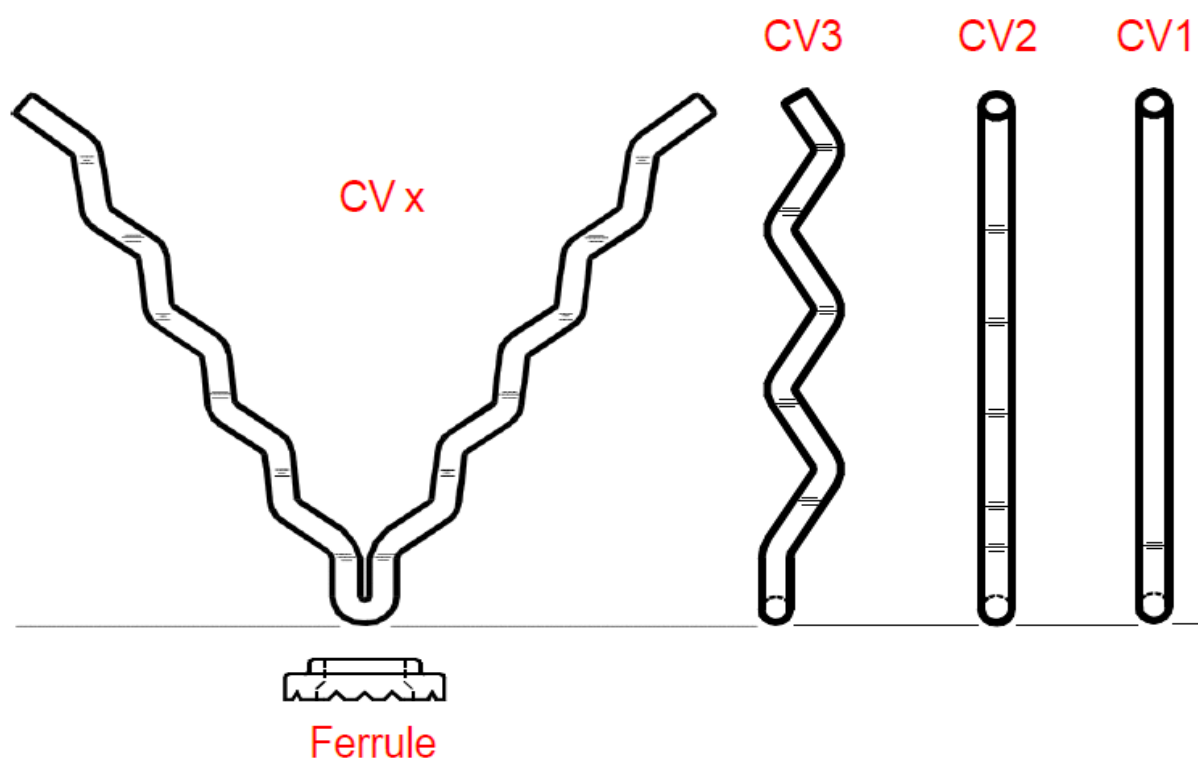


The Corrugated "V" type anchors



Commenced On : 17.1.2014	Drawn by: Tvikon s.r.o.	Product description: "CV" Anchor	
Tvikon		This drawing is the property of Tvikon s.r.o. Unauthorized use of patented features and / or and reproduction of this drawing is strictly prohibited.	"CV" Anchor System
Tvikon s.r.o., U Landronky 1145/42, 169 00 Praha 6, Břevnov, tvikon@tvikon.cz, Phone: +420775908330		Dwg nr. T-14/31	

The Corrugated "V" type anchors

The CV Series is the standard anchoring for single layer refractory concrete linings. It can also be used for two-layer wall construction with a gunned insulation. The anchoring systems in the CV Series have been developed for mounting by means of stud welding and are therefore supplied aluminised and with ceramic ring as standard. This permits safe and rational mounting.

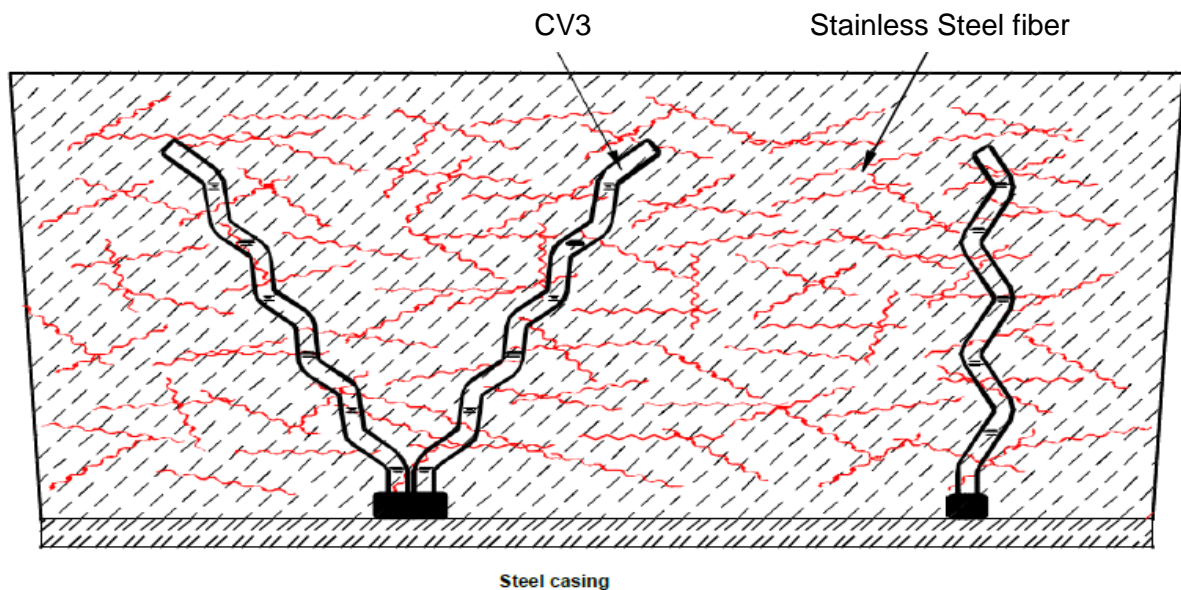
The anchors in the CV Series are available in three different basic versions:

CV1 - Anchors without corrugation are used for simple anchoring tasks such as for thin linings or tub positions.

CV2 - Corrugated anchors for average to difficult applications; the depth of the corrugation basically corresponds to the single diameter of the wire to achieve a good transmission of the retention forces to the refractory concrete.

CV3 - This version of the anchor has a defined double corrugation. This gives the anchor a "space retaining ability" which leads to a yet better transmission of retention forces to the refractory material. The CV3 version is especially suitable for anchoring single layered lightweight refractory concretes.

4 mm diameter CV1 anchors are developed for thin linings; also they are frequently used as installation aid for gunned layers of insulation.



Tvikon

Tvikon s.r.o., U Landronky 1145/42, 169 00 Praha 6, Břevnov, tvikon@tvikon.cz, Phone: +420775908330

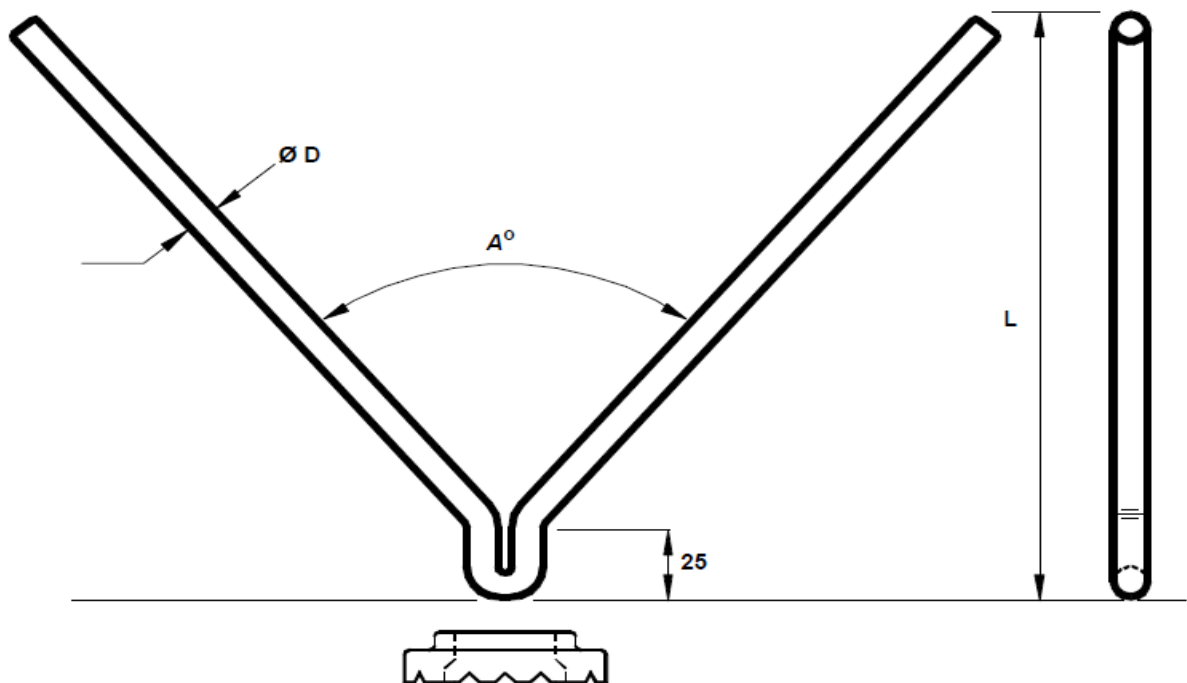
This drawing is the property of Tvikon s.r.o. Unauthorized use of patented features and / or and reproduction of this drawing is strictly prohibited.

CV Round System

Dwg nr. T-14/32

Ordering examples and standard alloys available				<h1>CV1</h1> <p>D_{max} = 8 mm D_{min} = 4 mm</p> <p>Angle a - 50° - 80° L_{max} = 350 mm L_{min} = 30 mm</p>
Example				
<p>CV1. 6 (60) - 325 - 330</p> <p style="text-align: center;"> ↑ ↑ ↑ ↑ </p>				
Anchor type	Diameter (Angle)	Length L (c)	Alloy type	

If a length difference is required in height of legs then specify the difference in length in brackets.



Tvikon

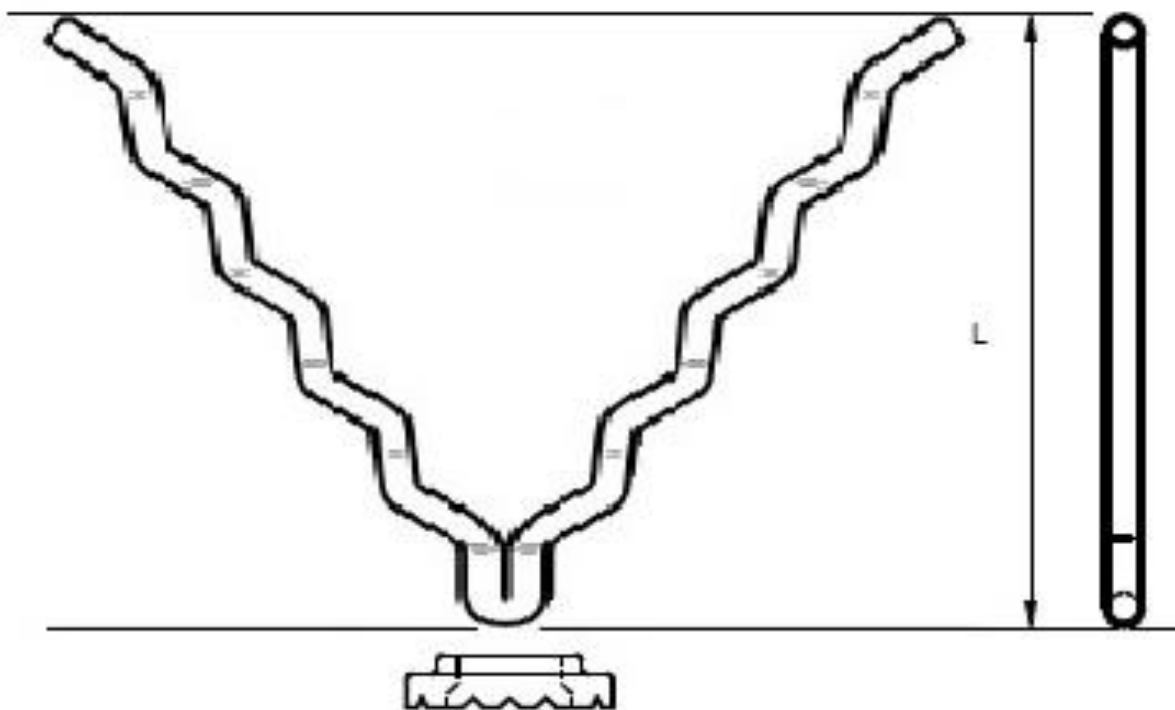
Tvikon s.r.o., U Landronky 1145/42, 169 00 Praha 6, Břevnov, tvikon@tvikon.cz, Phone: +420775908330

This drawing is the property of Tvikon s.r.o. Unauthorized use of patented features and / or and reproduction of this drawing is strictly prohibited.

CV Round System

Dwg nr. T-14/33

Ordering examples and standard alloys available				<h1>CV2</h1> <p>D_{max} = 8 mm D_{min} = 4 mm</p> <p>Angle a - 50° - 80° L_{max} = 350 mm L_{min} = 30 mm</p>
Example				
<p>CV2. 8 (60) - 350 - 330</p> <p style="text-align: center;"> ↑ ↑ ↑ ↑ </p>				
Anchor type	Diameter (Angle)	Length L (c)	Alloy type	



Tvikon

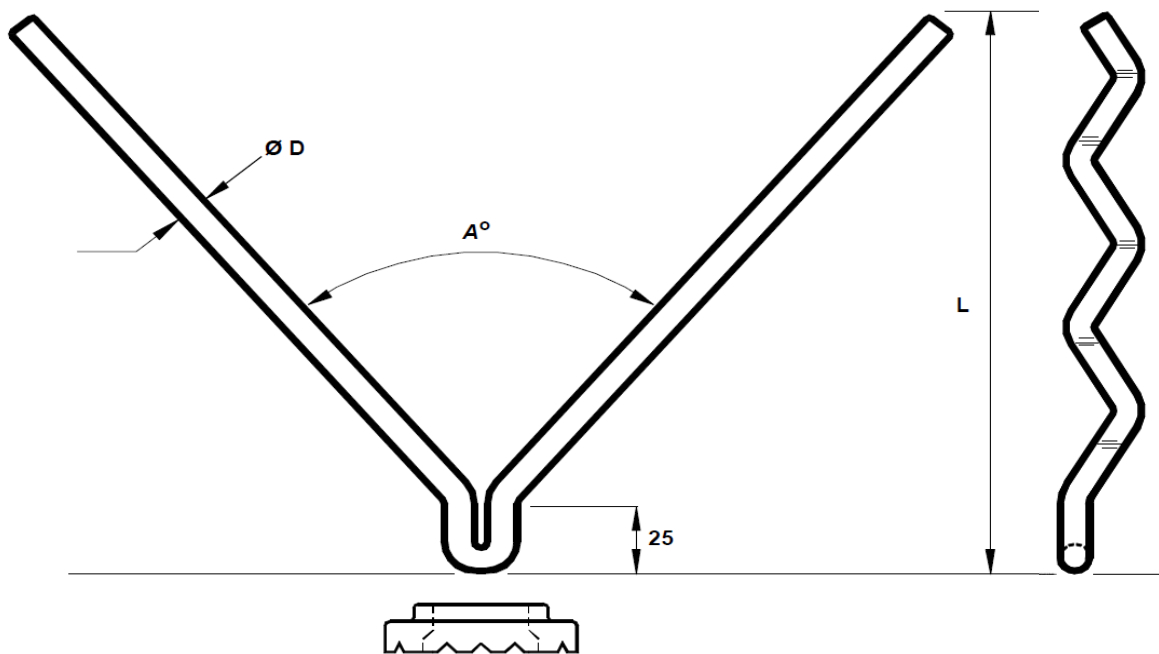
Tvikon s.r.o., U Landronky 1145/42, 169 00 Praha 6, Břevnov, tvikon@tvikon.cz, Phone: +420775908330

This drawing is the property of Tvikon s.r.o. Unauthorized use of patented features and / or and reproduction of this drawing is strictly prohibited.

CV Round System

Dwg nr. T-14/34

Ordering examples and standard alloys available				<h1>CV3</h1> <p>Dmax = 8 mm Dmin = 4 mm</p> <p>Angle a - 50° - 80° L_{max} = 350 mm L_{min} = 30 mm</p>
<p>Example</p> <p>CV3. 6 (60) - 250 - 310</p> <p style="text-align: center;"> ↑ ↑ ↑ ↑ </p> <p>Anchor type Diameter (Angle) Length L (c) Alloy type</p>				



<h1 style="color: red;">Tvikon</h1>	This drawing is the property of Tvikon s.r.o. Unauthorized use of patented features and / or and reproduction of this drawing is strictly prohibited.	CV Round System
Tvikon s.r.o., U Landronky 1145/42, 169 00 Praha 6, Břevnov, tvikon@tvikon.cz, Phone: +420775908330		Dwg nr. T-14/35