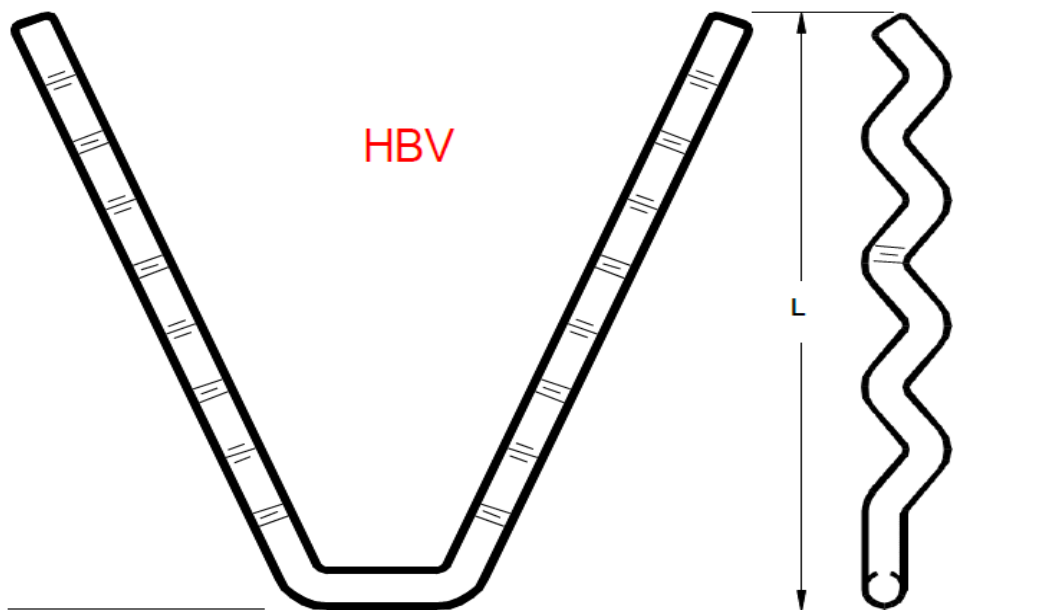
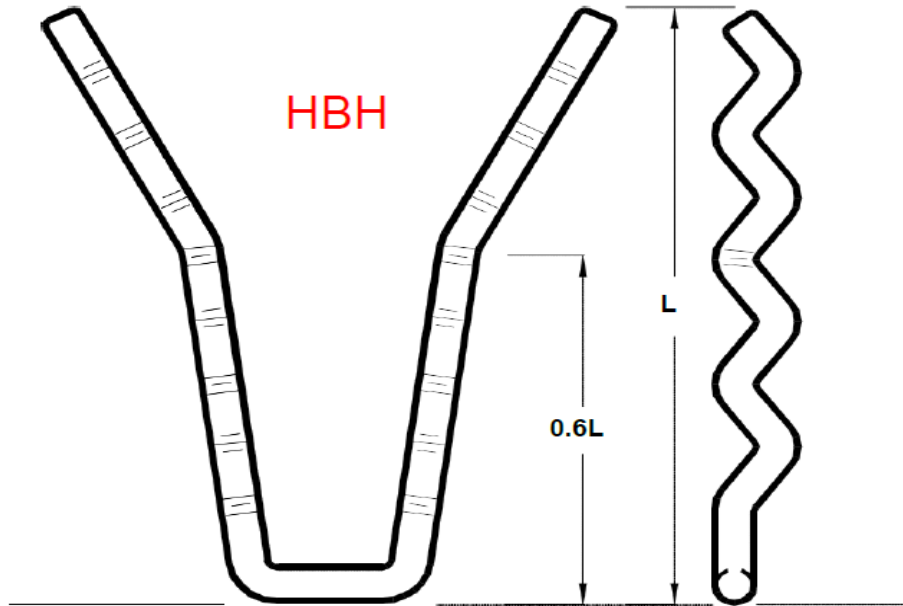


Heavy duty BULLHORN anchor for dense refractory concrete linings



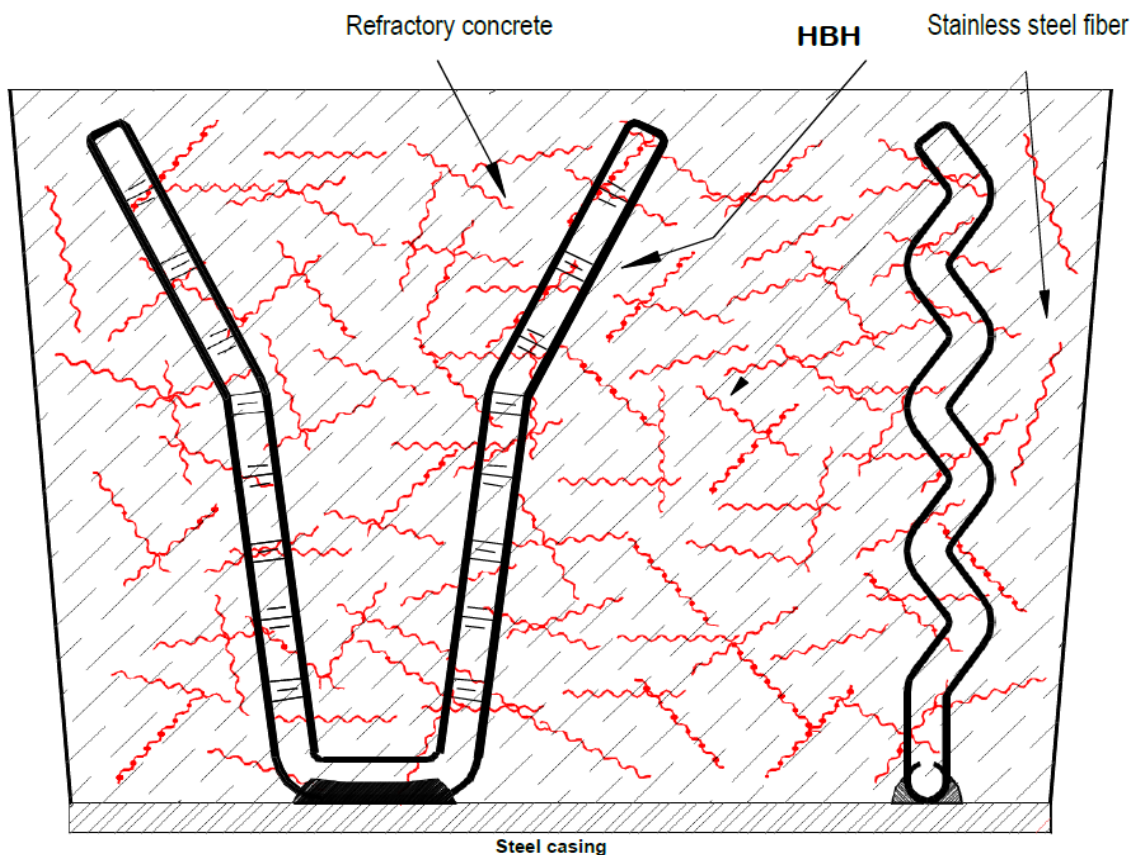
Commenced On : 17.1.2014	Drawn by: Tvikon s.r.o.	Product description: Heavy Bullhorn
Tvikon		This drawing is the property of Tvikon s.r.o. Unauthorized use of patented features and / or and reproduction of this drawing is strictly prohibited.
Tvikon s.r.o., U Landronky 1145/42, 169 00 Praha 6, Břevnov, tvikon@tvikon.cz, Phone: +420775908330		Heavy Bullhorn System Dwg nr. T-14/20

Heavy duty BULLHORN anchor for dense refractory concrete linings

Special care should be taken when selecting anchoring for thicker plant components that are frequently lined with refractory concrete. For such applications, Tvikon offers the Series HB anchoring system. The characteristic of this type of anchor is that it is strongly corrugated to transfer the large retention forces to the refractory concrete. The HBH and HBR anchor has two differently spread angles, a smaller 15° angle in the lower area of the anchor and a larger angle of 55° in the upper area, so that the anchor ends are not spread too far apart from each other as a result of thick layers of lining. This design ensures that the retention forces in the refractory concrete are kept close to the anchoring point.

The anchors with larger diameters, have been developed for mounting by manual welding. For this purpose the anchor has a bar on the mounting side which enables secure assembly.

The anchors in the HB Series are manufactured in the diameters 10 mm, 12 mm, 14 mm and 18 mm.

**Tvikon**

Tvikon s.r.o., U Landronky 1145/42, 169 00 Praha 6, Břevnov, tvikon@tvikon.cz, Phone: +420775908330

This drawing is the property of Tvikon s.r.o. Unauthorized use of patented features and / or and reproduction of this drawing is strictly prohibited.

Heavy Bullhorn System

Dwg nr. T-14/21

Ordering examples and standard alloys available			
Example			
HBH. 16 - 360 - 310			
↑	↑	↑	↑
Anchor type	Diameter	Length L (c)	Alloy type

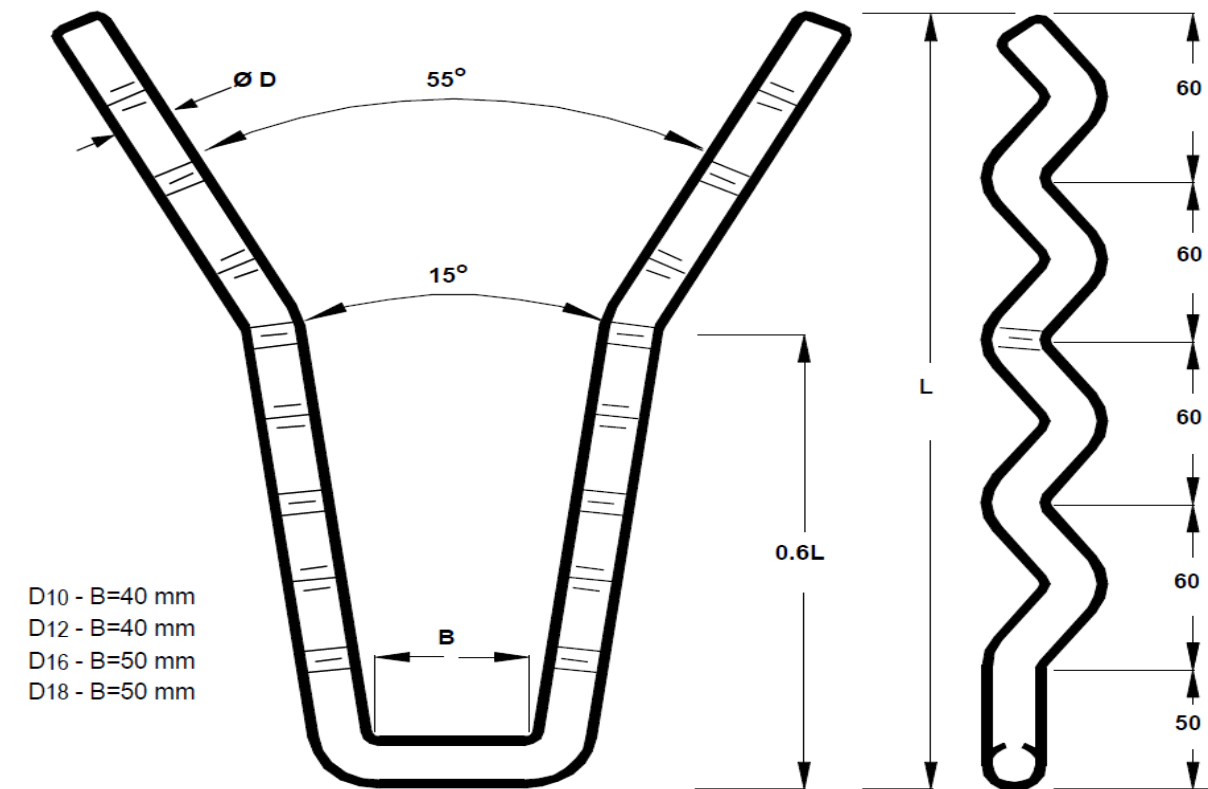
HBH

D_{max} = 18 mm

D_{min} = 10 mm

L_{max} = 800 mm

L_{min} = 160 mm



Tvikon

Tvikon s.r.o., U Landronky 1145/42, 169 00 Praha 6, Břevnov, tvikon@tvikon.cz, Phone: +420775908330

This drawing is the property of Tvikon s.r.o. Unauthorized use of patented features and / or and reproduction of this drawing is strictly prohibited.

Heavy Bullhorn System

Dwg nr. T-14/22

Ordering examples and standard alloys available			
Example			
HBR. 12 - 350 - 330			
↑	↑	↑	↑
Anchor type	Diameter	Length L (c)	Alloy type

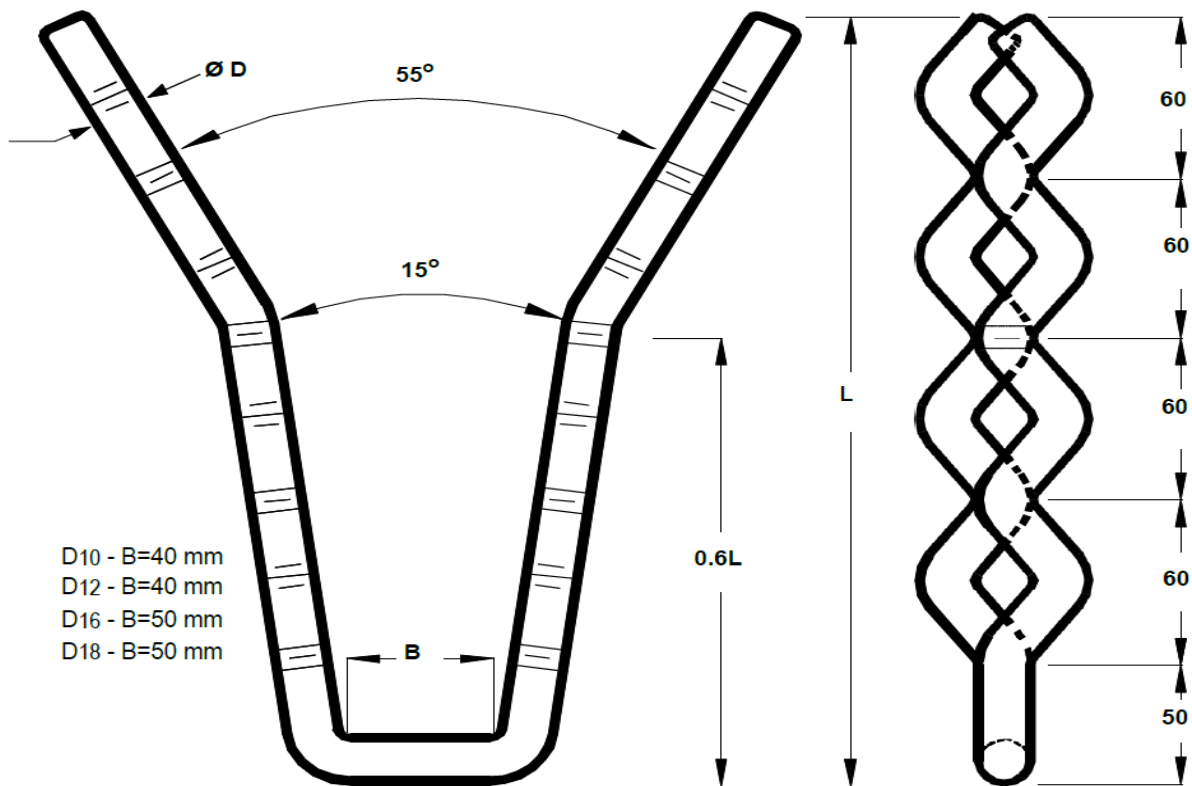
HBR

D_{max} = 18 mm

D_{min} = 10 mm

L_{max} = 800 mm

L_{min} = 160 mm



Tvikon

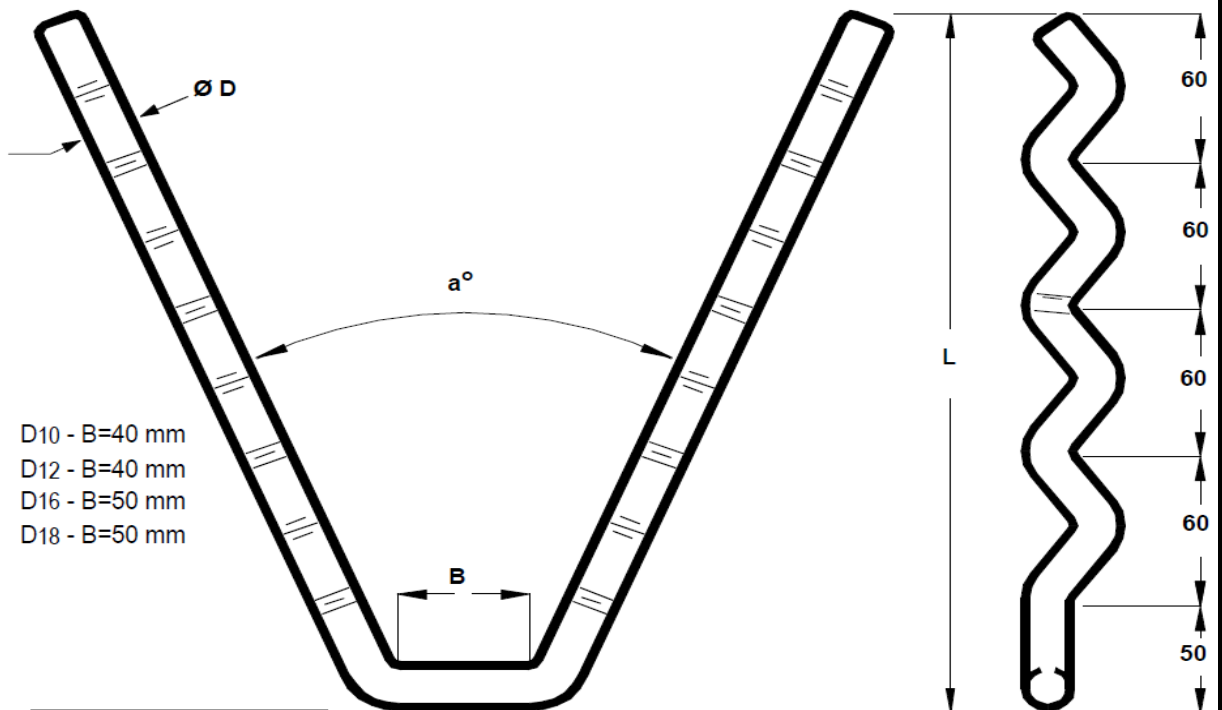
Tvikon s.r.o., U Landronky 1145/42, 169 00 Praha 6, Břevnov, tvikon@tvikon.cz, Phone: +420775908330

This drawing is the property of Tvikon s.r.o. Unauthorized use of patented features and / or and reproduction of this drawing is strictly prohibited.

Heavy Bullhorn System

Dwg nr. T-14/23

Ordering examples and standard alloys available				<h1>HBV</h1> <p>D_{max} = 18 mm D_{min} = 10 mm</p> <p>L_{max} = 800 mm L_{min} = 160 mm</p>
Example				
<h2>HBV. 12 (50) - 350 - 310</h2>				
↑	↑	↑	↑	
Anchor type	Diameter (Angle)	Length L (c)	Alloy type	



Tvikon

Tvikon s.r.o., U Landronky 1145/42, 169 00 Praha 6, Břevnov, tvikon@tvikon.cz, Phone: +420775908330

This drawing is the property of Tvikon s.r.o. Unauthorized use of patented features and / or and reproduction of this drawing is strictly prohibited.

Heavy Bullhorn System

Dwg nr. T-14/24